



ultraSky
Lantern by ultraframe

LET THE LIGHT FLOOD IN

WITH THE ULTRASKY LANTERN ENGINEERED BY ULTRAFRAME

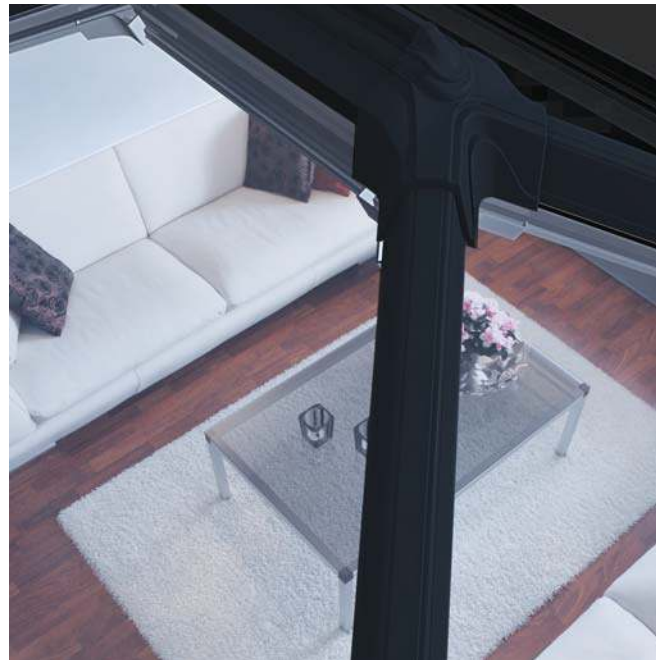




Flood
light
into your
home
with an
UltraSky
lantern

ultraSky
Lantern by ultraframe



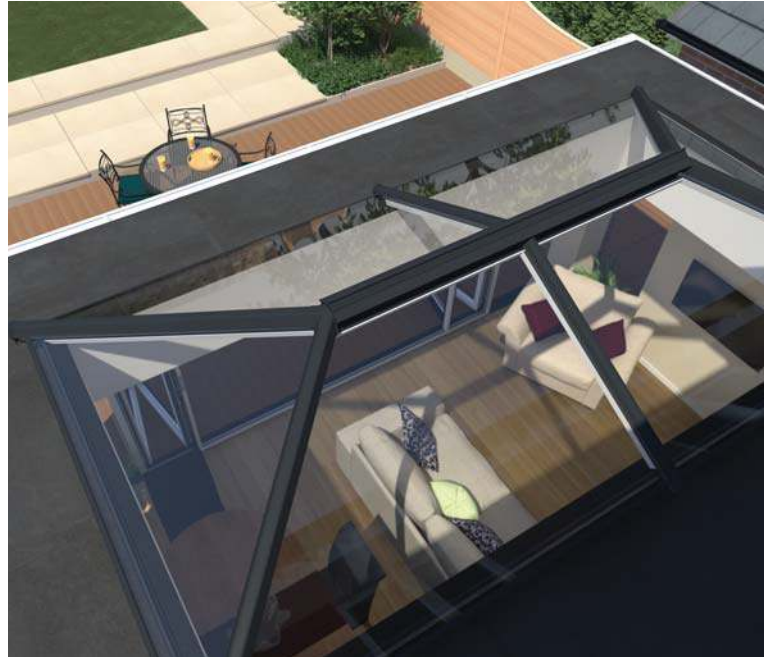


Installed on a new build extension, Orangery, or inserted into an existing flat roof, an UltraSky lantern will help you add the feeling of space and natural light to your home

Whether it's for a living room, dining room, kitchen, bedroom or bathroom the UltraSky lantern will be the perfect stylish solution for you.



ultraSky
Lantern by ultraframe



The UltraSky lantern is stunning, enhancing any style of property, traditional or modern alike

SIZES

The UltraSky lantern is available in a number of bespoke rectangular sizes ranging from up to 5.8m long x 4m wide.

COLOUR OPTIONS

Choose the stylish White PVC option to match your modern window frames, or for that extra “Wow” factor go for the aluminium option, available in White, Anthracite Grey or Satin Black. Internally the UltraSky lantern is clad in either white PVC or powder coated aluminium in white, anthracite grey or satin black to either match or contrast the external finish.

GLAZING

The highly thermally efficient glazing options will help reduce heat loss and noise pollution, whilst letting the desired amount of light into your room.

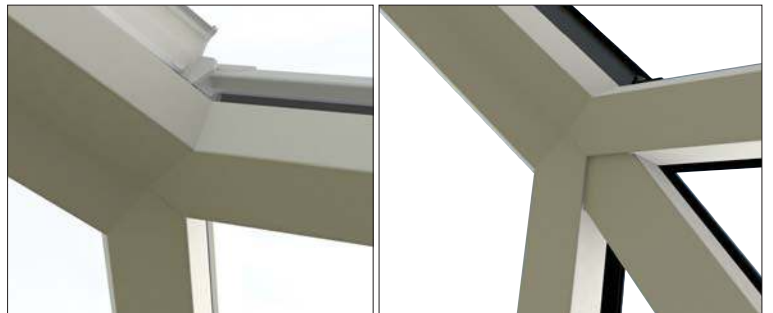
EXTRAS

Add a roof vent to let in the fresh air – roof vents are available with a manual opener, automatic opener or an automatic opener with rain and temperature control. Roof vents only available in selected sizes.

RADIUS END: EXTERNAL ALUMINIUM



RADIUS END: INTERNAL ALUMINIUM



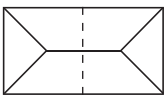
A timber kerb of 150mm high x 70mm (not supplied) wide must be fitted around the opening in the flat roof – the weatherproofing membrane laps onto top face of kerb.



UltraSky is based on the tried and tested BBA approved Ultraframe Classic roofing system

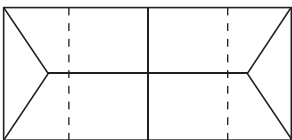


Typical design - Small eg., 3m x 1.5m shown



(optional additional bars - shown dotted)

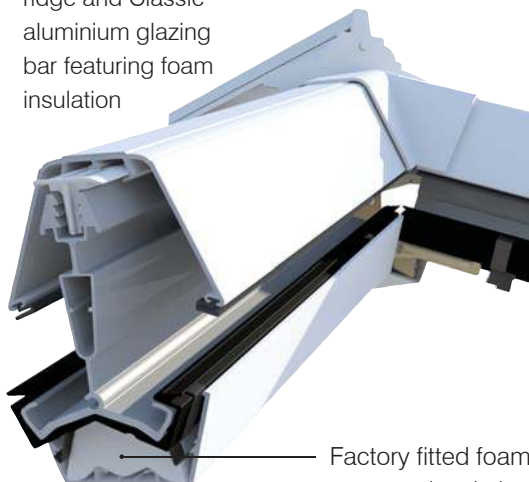
Typical design - Larger sizes eg., 4m x 2m shown



(optional additional bars - shown dotted)

HIP BAR

Thermally broken ridge and Classic aluminium glazing bar featuring foam insulation



Factory fitted foam insulation

KEY PERFORMANCE CRITERIA

Rectangular double ended lanterns, with a width up to 4m and a length up to 5.8m.

25 degree fixed pitch to all four sides.

Glazing bar top caps in either chambered PVC (white only) or aluminium (White RAL 9003 80% gloss, Anthracite Grey RAL 7016 30% gloss and Satin Black RAL 9005 60% gloss).

Internal finishing options in white PVC or powder coated aluminium (to match external colour range - dual colour option).

Thermally broken aluminium ridge body.

Low profile eaves beam (no gutter) designed to be fitted with oversailing 24mm double glazed units (high thermal performance, self cleaning and solar control in blue or neutral/clear - units can be supplied with the rooflight).

UltraSky is designed around maximum uninterrupted sight lines – bar numbers are reduced (or can be added if you prefer) and the ridge board and hub ends are as unobtrusive as possible.

The thermal performance has been optimised to make it suitable for extensions in domestic properties. Typical U value with 1.1 glass for a 1m wide x 2m long lantern is 1.4 W/m2K.

*Width and length are defined as to the external face of the timber kerb, recommended to be 150mm high x minimum of 70mm wide).

IMPORTANT.
SET OUT & DIMENSIONS ARE ALWAYS MEASURED TO EXTERNAL FACE OF KERB

ultraSky
Lantern by ultraframe

“

Whether choosing a traditional conservatory, an orangery or indeed a 'full on' extension, you will enjoy a **stunning new building - FAST**

”



ultraframe

Transforming light and space